

MFD MFLD

Metric Female Rod End Bearings, Self lubricating

Rod End housing

Corrosion resistant steel
AMS 5643. Rc 36 to 42

Outer race

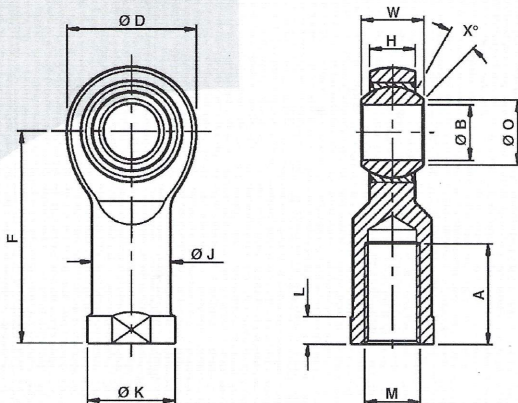
Corrosion resistant steel
AMS 5643. H1150

Ball

Corrosion resistant steel
AMS 5630. Rc 55 to 62

Liner

Rose 'D' type enriched
long life liner qualified
to Mil-B-81820



MFD Right hand thread

MFLD Left hand thread

For tight fit add suffix 'TF' to part no. Eg. MFD06TF

Rose part no	B	W	H	O	D	F	L	A	K	J	M	X	Max static radial load	Weight
	Bore dia	Ball width	Head width	Ball face dia	Head dia	Centre length		Thread length		Shank dia	Thread size	Angle		
MFD MFLD	H7	+0 -0,1	+0,1 -0,1	Min	+0,2 -0,2	+0,2 -0,2	+0,2 -0,2	Min	+0,2 -0,2	+0,2 -0,2	ISO med fit	deg	N	kg
03	3	6	4,5	5,1	14	21	3	9	8	7	M3 x 0,5	14	4022	0,008
05	5	8	6,0	7,7	18	27	4	9	11	9	M5 x 0,8	13	7743	0,016
06	6	9	6,75	8,9	20	30	5	11	13	11	M6 x 1,0	13	16412	0,025
08	8	12	9,0	10,4	24	36	5	15	16	14	M8 x 1,0	14	28377	0,043
08K	8	12	9,0	10,4	24	36	5	15	16	14	M8 x 1,25	14	28377	0,043
10	10	14	10,5	12,9	28	43	6,5	19	19	17	M10 x 1,25	13	38993	0,072
10K	10	14	10,5	12,9	28	43	6,5	19	19	17	M10 x 1,5	13	38993	0,072
12	12	16	12,0	15,4	32	50	6,5	21	22	19	M12 x 1,25	13	51176	0,107
12K	12	16	12,0	15,4	32	50	6,5	21	22	19	M12 x 1,75	13	51176	0,107
14	14	19	13,5	16,8	36	57	8	24	25	22	M14 x 1,5	16	49040	0,160
14K	14	19	13,5	16,8	36	57	8	24	25	22	M14 x 2,0	16	49040	0,160
	H7	+0 -0,1	+0,1 -0,1	Min	+0,7 -0,3	+0,7 -0,3	+0,5 -0,5	Min	+0,7 -0,3	+0 -1,0				
16	16	21	15,0	19,3	42	64	8	27	27	22	M16 x 1,5	15	86928	0,210
16K	16	21	15,0	19,3	42	64	8	27	27	22	M16 x 2,0	15	86928	0,210
18	18	23	16,5	21,8	46	71	10	31	31	27	M18 x 1,5	15	101035	0,295
20	20	25	18,0	24,3	50	77	10	32	34	32	M20 x 1,5	14	127314	0,380
20K	20	25	18,0	24,3	50	77	10	32	34	32	M20 x 2,5	14	127314	0,380
22	22	28	20,0	25,8	54	84	12	36	37	32	M22 x 1,5	15	132321	0,490
25	25	31	22,0	29,6	60	94	12	41	42	36	M24 x 2,0	15	149712	0,650
30	30	37	25,0	34,8	70	110	15	50	50	41	M30 x 2,0	17	177692	1,030

No load rotational breakout torque		
Bore size	Normal fit Nm	Tight fit Nm
03 to 06	0,04 to 0,30	0,20 to 0,50
08 to 14	0,08 to 0,50	0,30 to 0,80
16 to 20	0,12 to 0,80	0,50 to 1,20
22 to 30	0,25 to 1,00	0,60 to 1,50

Dimensions in millimetres

For other sizes and options please contact Rose Bearings.

Max. static loads quoted are subject to suitable shaft and mating thread materials.

Please consult Rose Bearings for availability of bearings in this series.

Rose Bearings operates a policy of continual improvement, and therefore reserves the right to revise specifications without notice.

Rose Bearings Ltd - Doddington Road, Lincoln LN6 3RA UK TEL: 01522 500933 FAX: 01522 696485